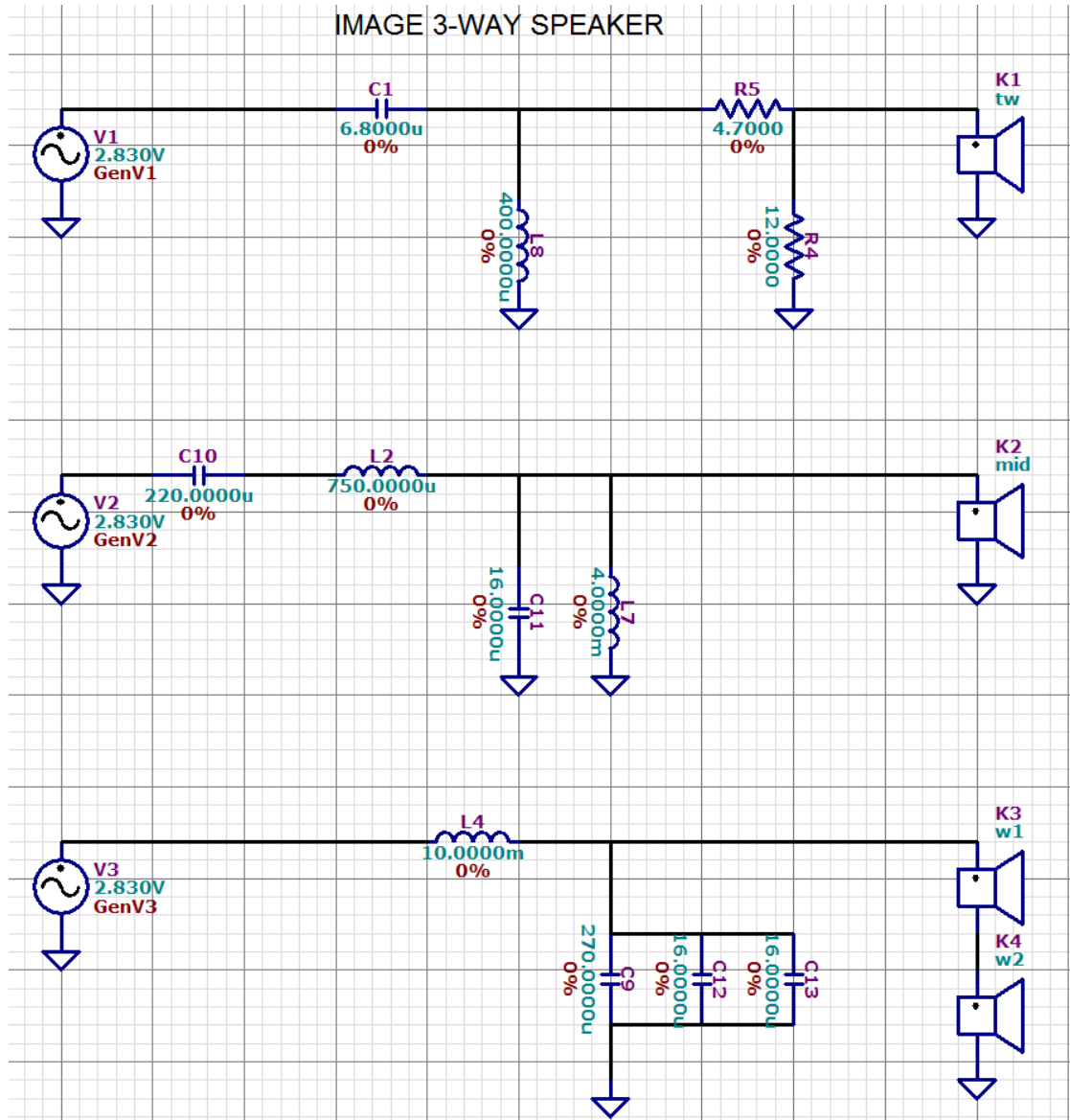


3-WAY SPEAKER

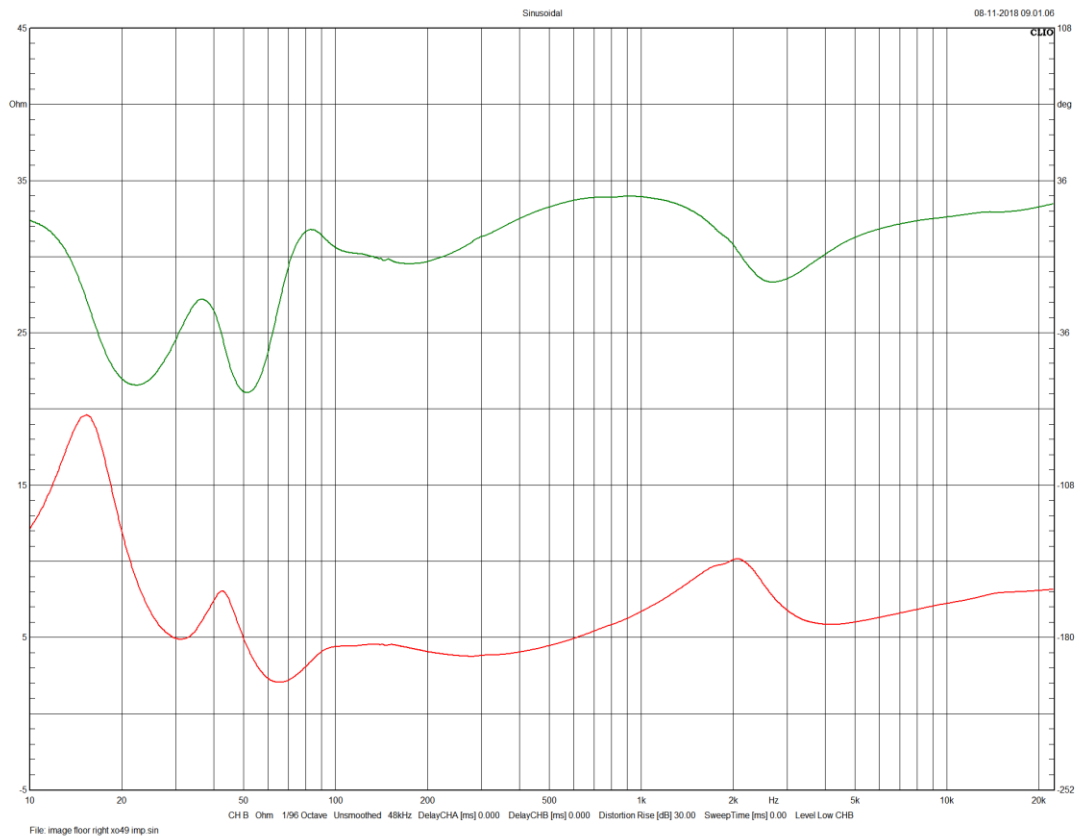
Drivers

- WOOFERS-MW1054 X 2 4ohm
- MID-TSCM634 X 1 4 ohm
- TWEETER-TSCT1044 X 1 4ohm

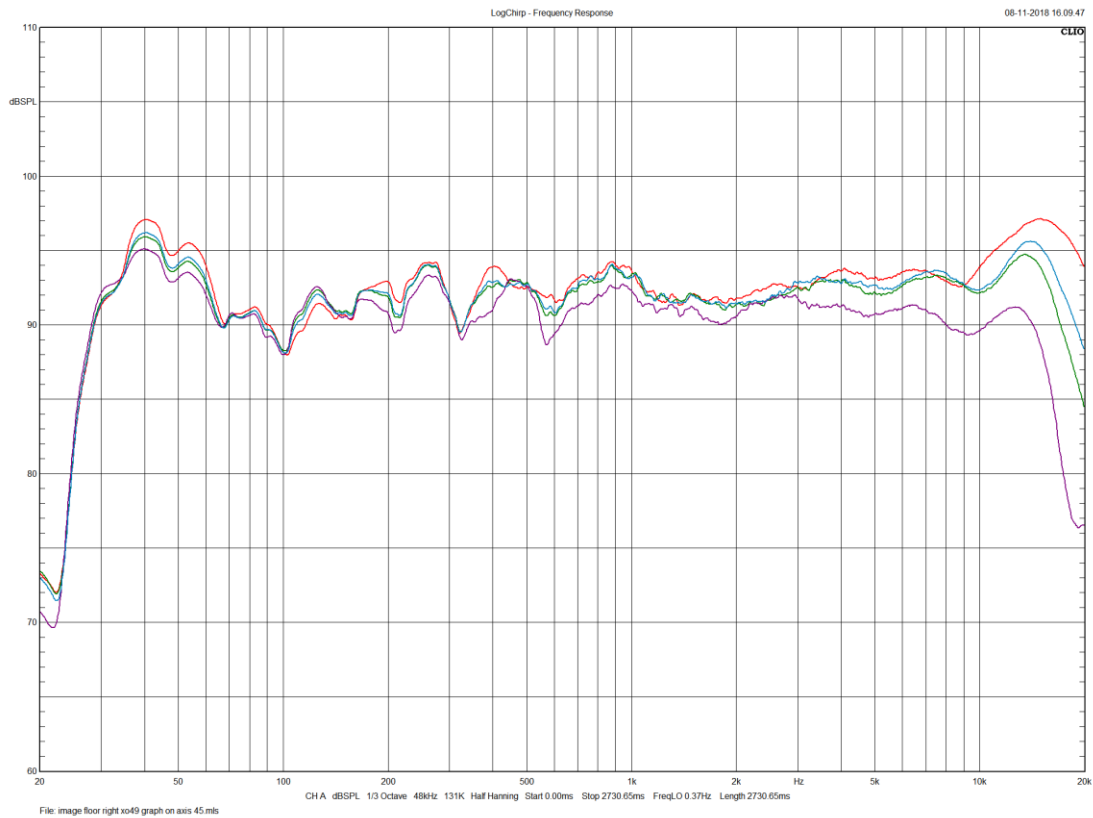


CROSSOVER DESIGN:	
C1=6.8uF 250v capacitor film HQ	mundorf
C10=220uF 100v capacitor bipolar	elco
C11,C12,C13=16mf 100v capacitor film	benec
C9=270mf 100v capacitor bipolar	morel
L4=10.0 mH iron core inductor DC=0.26 ohm D/Wire=1.5mm	AGW
L7=4.0mH iron core inductor DC=0.16 ohm D/Wire=0.25mm	AGW
L2=0.75mH air core inductor DC=0.27ohm D/Wire=1.25mm	AGW
L8=0.4mH air core inductor DC=0.52 ohm D/Wire=0.72 mm	mundorf
R5= 4.7 ohm 5 watt resistor MOX	mundorf
R4= 12 ohm 5 watt resistor MOX	mundorf

Impedance measurements CLIO 12: measured with logchirp, 1.0v input



On/off axis measurements CLIO 12: measured with logchirp, 2.83v input. 0.5m when microphone pointing at center tweeter, no time window, 1/3 smoothing was applied.
0 degrees, 15 degrees, 30 degrees, 45 degrees,



Cabinet design considerations

- Port: L-100mm D-88mm
Mid box: 150gr damping – WHITE HAIR

Woofers box: damping on the internal sides
- The connection between the cabinet front plate and cabinet itself need to be sealed, to avoid air release- must be airsealed